

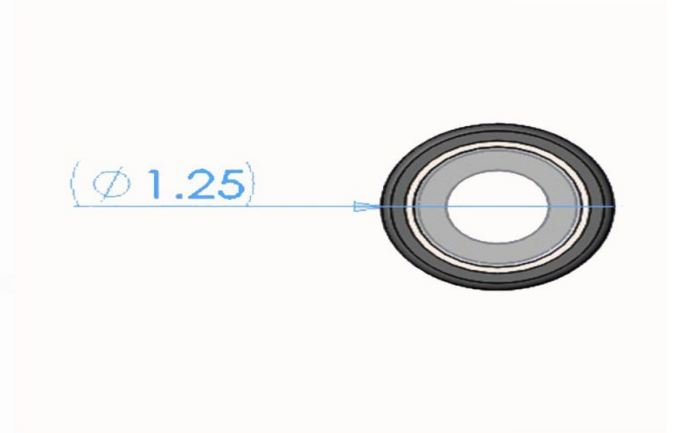
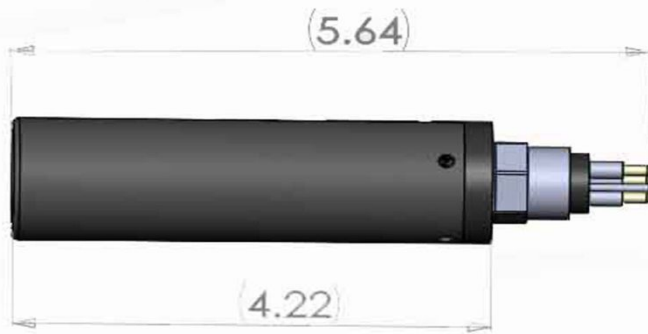
High Resolution Underwater Camera **MC750**



- **Black Anodized Aluminum w/acrylic lens**
- **Rated for 2,500M Depth Tested at 3,000M**
- **Stainless or Titanium available for 3,000+ meter depths**
- **Wide variety of connector options**
- **PAL or NTSC Formats**
- **Color or Black and white low light**
- **Optional Lenses for wider or further distances**

The MC-750 is a High resolution underwater camera with a 750tv line 1/3" Sony HAD CCD II; 3.6mm fixed focus lens that delivers a 90° horizontal view. The MC-750 can be fitted with other lenses for wider views or further distances which can be set to a specific focal distance by the factory. The MC-750 is made out of 6061 Aluminum (for its weight and strength) and is double black anodized for protection from the harshest environments. The MC-750 comes standard with a MCBH4M stainless steel connector and optically clear acrylic view port.

The MC-750 was designed for commercial divers and light duty ROV's and can be used for many other underwater applications. The camera has a wide input power rang of 12v to 30v DC making it a universal fit for most existing equipment. The MC-750 can be fitted with either a black and white low light camera or color camera in both NTSC and PAL formats; optional 316 stainless steel or titanium housing and sapphire view port for deeper depths and hazardous environments. The connector can be wired to the customer's requirements and can be fitted with a wide variety of different connectors.



Electrical Specs		Camera Specs	
Power requirements:	12v DC ($\pm 10\%$) 70mA	Image device:	1/3" 960H Sony Exview HAD CCD II
Video Output:	1.0 Vp-p Composite 75(Ω)	Resolution:	750 TV Lines
Connector:	MCBH4M-SS	Format:	PAL or NTSC
Pin # 1	Ground (-)	Min. Illumination:	.01 Lux
Pin # 2	Power (+)	Operating Temp:	14°F~122°F
Pin # 3	Video Out	Storage Temp	-4°F ~140°F
Pin # 4	N/A	Len:	3.6mm Fixed Focus
Mechanical / Technical Specs		Option/Custom	
Material:	6061-T6 Aluminum	Connectors:	Many optional connectors upon request
View Port:	Optically Clear Acrylic	Material:	316 Stainless steel (3,000m Depth)
Weigh:	9.8 oz (280g)	Material:	Titanium (4,000m Depth)
Weigh in sea water:	5.4 oz (155g)	Lens:	2.97mm, 6mm, 8mm fixed focus lens
Depth rating:	2,500 meters	View Port:	Optically Clear Sapphire Port